



Cartridges and Filter Plugs

for Flo King BX650, BX1200, BX3000, BX5000, BXL2500 and BXL5000.

See Page 3 for Lab Series Cartridges.



Any standard 2.5-inch-diameter (6.35-cm) filter cartridge or carbon cartridge can be installed directly into the Flo King pump.

To use a single cartridge, loosen the three **Filter Screws** on the pump. Then insert the cartridge and tighten the Filter Screws.

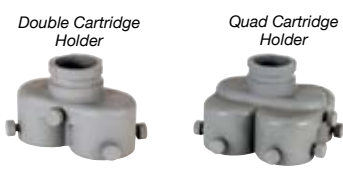
Two cartridges can be installed at the same time using the **Double Cartridge Holder**, or four with the **Quad Cartridge Holder**.

The correct **Filter Plug** must be installed at the bottom of the cartridge when using a Flo King pump. Without a plug, solution will travel through the cartridge cavity but not the filter media, thus bypassing filtration and exposing the pump impeller to damage from any foreign objects that might be in solution.

If the pump is used without a filter cartridge attached, a **Pump Strainer Adapter** (Order #PSA, right) must be installed to protect the impeller.



An alternative method for mounting cartridges is shown on the next page (**Nut-Style Filter Holder**).



DISCONTINUED



Poly-Wound Disposable Filter Cartridge. Available in 100, 200 and 400 microns for the removal of large solids. Lengths: 10 and 20 inches (25 and 50 cm).

Poly-Spun Disposable Filter Cartridge. Our most popular disposable, available in a wide range of micron ratings and in lengths from 4 to 50 inches (10 to 125 cm).

Permacore Magnum (or Super Magnum) Reusable Filter Cartridge. Our most popular reusable features polypro "Permacore" head that fits snugly into pump or cartridge holder. Lengths: 10, 15 and 20 inches (25, 38 and 50 cm).

Carbon Cartridge for the removal of organic impurities. Available in lengths of 4, 6, 10, 15, 20 and 30 inches (10, 15, 25, 38, 50 and 75 cm).



Lightweight Blue Filter Plug is only one that fits Carbon Cartridge. Also can be used with reusable filter cartridges (order # CFP12, pack of 12 plugs).

Heavy Blue Floating Filter Plug (FP6, pack of six) is the most widely used plug for the Poly-Spun Disposable Filter Cartridge. However, it is sometimes necessary to use a **Red Liner** over the Heavy Blue Plug. This is a result of slight occasional irregularities in the opening of the Poly-Spun cartridge, which is coreless. Two Red Liners are included with each pack of FP6. For a pack of 12 Red Liners, the order number is RPSL.

Standard Magnum (or Super Magnum) Reusable Filter Cartridge. No Permacore Head. Lengths of 4, 6, 10, 15 and 20" (10, 15, 25, 38 and 50 cm).

Heavy Blue Floating Filter Plug (Order #FP6, pack of six) is most commonly used style for Permacore and Standard reusable filter cartridges.

Another Poly-Spun option, used less frequently, is the **Lightweight Red Floating Filter Plug** (Order # FPP12, pack of 12).



Another option, used less frequently, is the **lightweight Blue Floating Filter Plug** (Order # CFP12, pack of 12).





Nut-Style Filter Holder

An Alternative Method of Mounting Cartridges to Flo King BX650, BX1200, BX3000, BX5000, BXL2500 and BXL5000

See Page 3 for Lab Series Cartridges.

The Nut-Style Filter Holder allows you to change filter cartridges without loosening the **Filter Screws** on the Flo King pump.

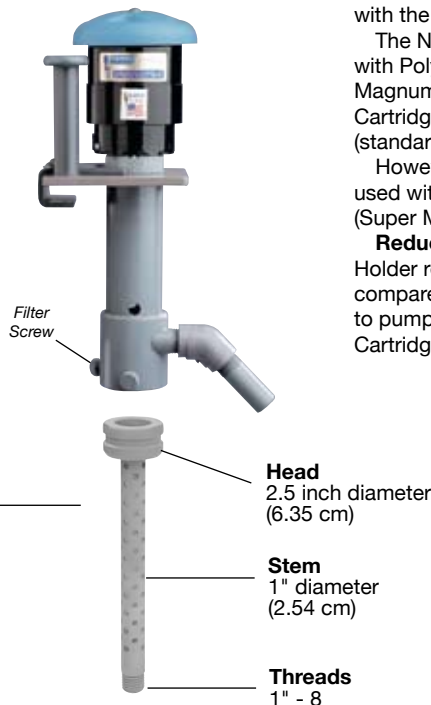
Just unscrew Threaded Nut from bottom of Stem, remove old cartridge, install new cartridge, tighten Nut and resume filtration.

Two cartridges can be installed at the same time using the **Double Cartridge Holder**, or four with the **Quad Cartridge Holder**.

The Nut-Style Filter Holder is compatible with Poly-Spun, Jumbo Poly-Wound, standard Magnum (and Super Magnum) Reusable Filter Cartridges, and High-Flow Carbon Cartridges (standard and Jumbo size).

However, the Nut-Style Filter Holder cannot be used with **Permacore** Magnum or (Super Magnum) Reusable Filter Cartridges.

Reduction of Flow Rate: Nut-Style Filter Holder results in a flow-rate reduction of 10% compared with mounting bare cartridge directly to pump or using Permacore Reusable Filter Cartridge.



Nut-Style Filter Holder

Order #	Length
NFH10	10 inch (25 cm)
NFH15	15 inch (38 cm)
NFH20	20 inch (50 cm)
NFH30	30 inch (75 cm)



Carbon Cartridge for the removal of organic impurities. Available in lengths of 4, 6, 10, 15, 20 and 30 inches (10, 15, 25, 38, 50 and 75 cm).



Poly-Wound Disposable Filter Cartridge. Available in 100, 200 and 400 microns for the removal of large solids. Lengths: 4, 6, 10, 15, 20 and 30 inches (10, 15, 25 and 50 cm).



Poly-Spun Disposable Filter Cartridge. Our most popular disposable, available in a wide range of micron ratings and in lengths from 4 to 50 inches (10 to 125 cm).



Threaded Nut for Filter Holder



Standard Magnum (or Super Magnum) Reusable Filter Cartridge. No Permacore Head. Lengths of 4, 6, 10, 15 and 20" (10, 15, 25, 38 and 50 cm).



Jumbo Poly-Wound Disposable Filter Cartridge. 4" (10 cm) diameter, 100, 200 or 400 microns, lengths of 10 and 20 inches (25 and 50 cm).



Cartridges and Filter Plugs

for Flo King Lab Series Filter System



Filter Adapter

Filter Screw

Filter Adapter (Order #FA) is required to attach these 2.5"-diameter (6.35-cm) cartridges to pump.

For flexibility, two filter cartridge diameters can be used with the Lab Series. The 1-1/2"-diameter cartridges (3.8 cm) can be installed directly into the pump. The 2-1/2"-diameter cartridges (6.35 cm) require a Filter Adapter (Order #FA).

To install a cartridge, loosen the **Filter Screw** on the pump. Then insert the cartridge and tighten the Filter Screw.

The correct **Filter Plug** must be installed at the bottom of the cartridge when using any Flo King pump. Without a plug, solution will travel through the cartridge cavity but not the filter media, thus bypassing filtration and exposing the pump impeller to damage from any foreign objects that might be in solution.

If the pump is used without a filter cartridge attached, a Strainer (Order #PSAL, right) must be installed to protect the impeller.



PSAL

These 1.5-inch-diameter (3.8-cm) cartridges are inserted directly into pump.



Standard Magnum Reusable Filter Cartridge (MCA4). 10 micron, 4" long (10.2 cm) polypropylene reusable. Included with Lab Series Filter System. Cartridge also available in 6" (15.2-cm) length. Replacement filter blankets available in 10, 5 or 1 micron. Often used with Heavy Blue Floating Filter Plug.

Poly-Spun Disposable Filter Cartridge. Our most popular disposable, available in a wide range of micron ratings. Used in lengths of 4 and 6 inches (10.2 and 15.2 cm) for the Lab Series.

Poly-Wrap Disposable Filter Cartridge (Order #FKLAB10-4). Polypropylene, 10 micron, 4" long (10.2 cm). Included with Lab Series Filter System.

Mini Mag Reusable Filter Cartridge (Order #MMCA). Polypropylene, 10 micron, 4" long (10.2 cm). Included with Lab Series Filter System. Replacement filter blankets available in 10, 5 and 1 micron.

Carbon Cartridge for the removal of organic impurities. Available in lengths of 4" (1.2 cm) and 6" (15.2 cm) for the Lab Series.



CFP12

Lightweight Blue Filter Plug is only one that fits Carbon Cartridge. Also can be used with 2-1/2"-diameter reusable filter cartridges (order # CFP12, pack of 12 plugs).

Another Poly-Spun option, used less frequently, is the **Lightweight Red Floating Filter Plug** (Order # FPP12, pack of 12).



FPP12

Heavy Blue Floating Filter Plug (FP6, pack of six) is the most widely used plug for Poly-Spun Disposable Filter Cartridge. However, it is sometimes necessary to use a **Red Liner** over the Heavy Blue Plug. This is a result of slight occasional irregularities in the opening of the Poly-Spun cartridge, which is coreless. One Blue Plug and one Red Liner are included with Lab Series unit.

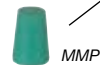


Red Liner (RPSL)



Heavy Blue Floating Filter Plug (FP6)

Red Liner Installed Over Heavy Blue Filter Plug



MMP

Green Neoprene Filter Plug. Fits only Poly-Wrap and Mini Mag cartridges. (Order #MMP, pack of 3) One included with Lab Series Filter System.

String-Wound Disposable Filter Cartridge (Order #FKL5-3). 5 micron, 3" long (7.6 cm).

White Polypro Filter Plug. Fits only FKL5-3. (Order #FKLP, pack of 3 plugs)



FKLP