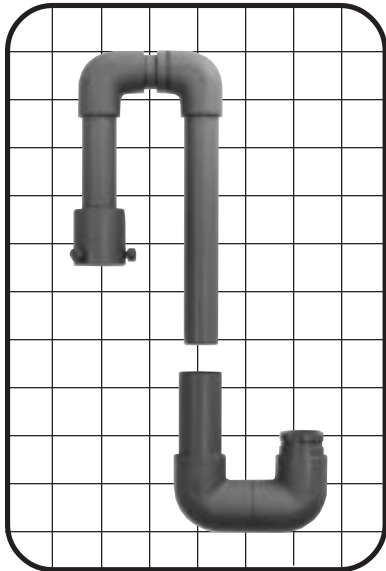


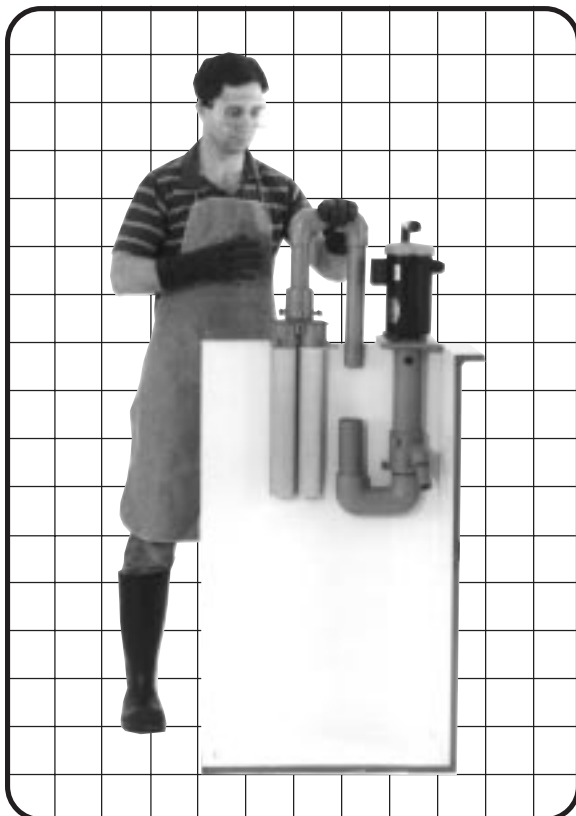


# FLO KING SLIDE-IN FILTER CARTRIDGE ADAPTER™ (SIFCA™)

A PATENTED DEVICE



← 14" (36 cm) →



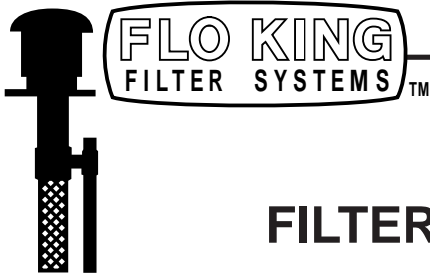
**CHANGE FILTER  
CARTRIDGES WITHOUT  
LEANING, LIFTING OR  
OTHERWISE DISTURBING  
YOUR FLO KING PUMP!**

- **INSTALLS IN SECONDS**
- **NO TOOLS REQUIRED**
- **JUST LIFT TO DISCONNECT ...  
LOWER TO RECONNECT**
- **FITS ANY EXISTING OR NEW  
1200, 2500, 3000 OR 5000-SERIES  
SYSTEM**
- **EXPEDITES FILTER CHANGES**
- **RELIEVES OPERATOR OF  
UNNECESSARY LABOR**
- **ESPECIALLY RECOMMENDED  
FOR HEAVIER, HIGHER-FLOW-  
RATE UNITS**

SIFCA™ is compatible with your favorite **FLO KING** attachments too! These include the Double Cartridge Holder, Quad Cartridge Holder, Carbon/Resin Canister, Carbon Bag, In-Tank Floating Skimmer, and Trash Trap! Available in CPVC, polypropylene, stainless steel, and PVDF (Kynar).

*Pioneers of In-Tank Filtration* ★ [www.floking.com](http://www.floking.com) ★ e-mail: [floking@sprintmail.com](mailto:floking@sprintmail.com)

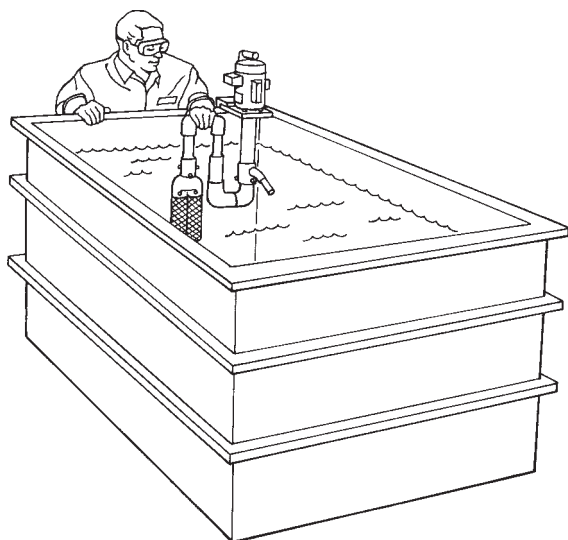
CUSTOM MASTERS, INC. • 401 LAKE BENNETT CT., LONGWOOD, FL 32750-6341 USA • 407-331-4634 FAX 407-331-0575



# FLO KING SLIDE-IN FILTER CARTRIDGE ADAPTER™ (SIFCA™)

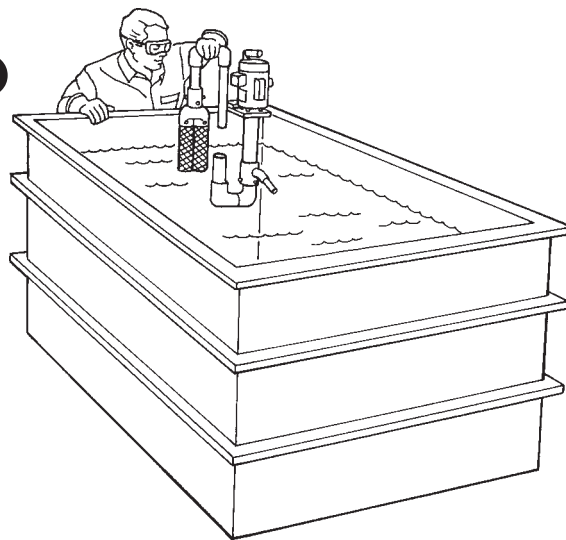
Patented accessory allows you to change filter cartridges without moving your FLO KING pump from the tank!

1



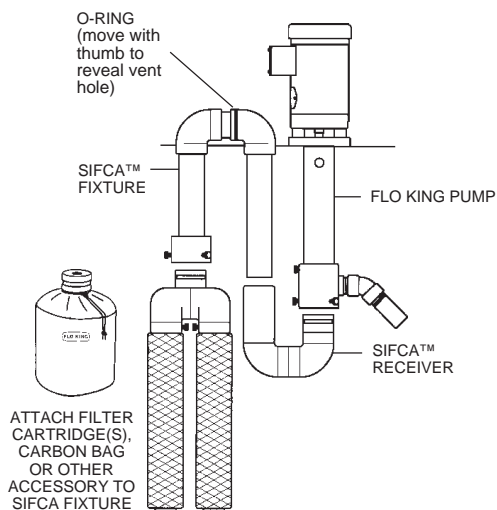
SIFCA™ attaches quickly and easily to any 1200, 2500, 3000 or 5000-series system. When ordering, just specify **FLO KING** pump model, pump body length, and preferred material of construction (example: "SIFCA-CPVC for BX3000-10").

2



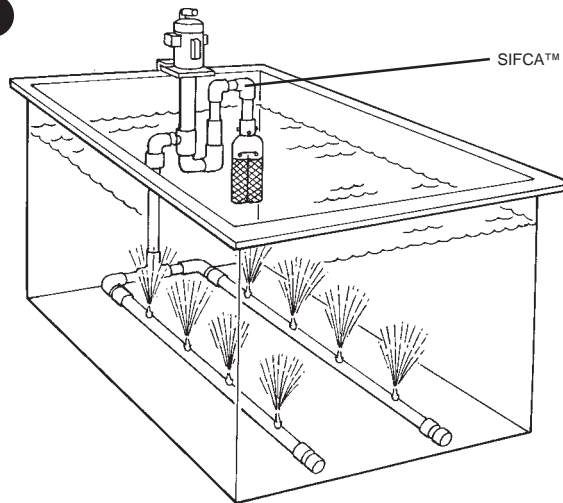
To change filters, just lift SIFCA™ and allow cartridges to drain in reservoir. Then install clean cartridges. While reattaching SIFCA to pump, move O-ring with thumb to reveal vent hole (see Illustration 3), releasing air from SIFCA™. Now turn pump on and resume filtration.

3



SIFCA™ assembles easily and can be used with standard **FLO KING** accessories. Receiver can be mounted to pump in any direction for preferred positioning in tank. For filter or carbon changes, simply lift fixture and separate from receiver.

4



SIFCA™ is ideal in cases where pipe is connected to **FLO KING** pump for special agitation effects (from bottom up, for instance, as shown above). Filter cartridges can be removed without disturbing pipe, pump, or tank components.

Pioneers of In-Tank Filtration ★ [www.floking.com](http://www.floking.com) ★ e-mail: [floking@sprintmail.com](mailto:floking@sprintmail.com)

CUSTOM MASTERS, INC. • 401 LAKE BENNETT CT., LONGWOOD, FL 32750-6341 USA • 407-331-4634 FAX 407-331-0575