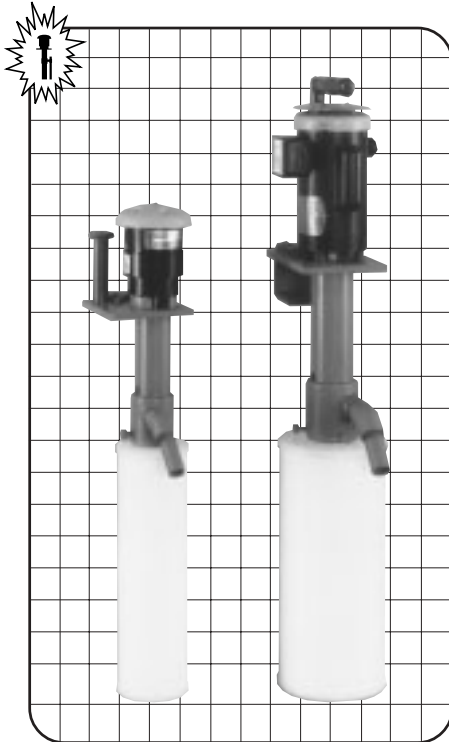
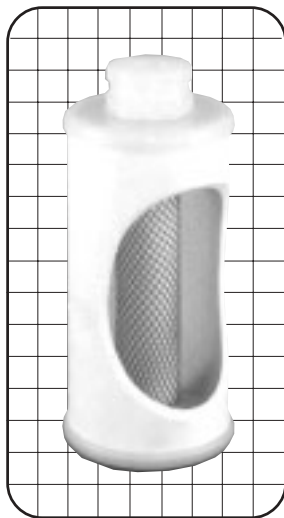




FLO KING REFILLABLE CARBON/RESIN CANISTER



BX1200 (left) with 4-1/2"-diameter (11-1/2-cm) Carbon/Resin Canister and BX3000 with 7"-diameter (18-cm) canister.



AN IN-TANK TREATMENT ACCESSORY FOR THE BX1200, BX3000, BX5000, BXL2500* & BXL5000*

- FOR CONTINUOUS OR INTERMITTENT CARBON TREATMENT TO REMOVE ORGANIC IMPURITIES
- JUST EMPTY, REFILL AND REUSE ... OVER AND OVER
- POROUS POLYPROPYLENE TUBE ENSURES HIGH FLOW
- INNER FILTER CARTRIDGE CAPTURES FINE PARTICLES
- AVAILABLE IN FOUR LENGTHS AND TWO DIAMETERS
- CAN ALSO BE USED WITH ION EXCHANGE RESIN TO REMOVE METALS
- EASY TO USE ... EASY TO REFILL

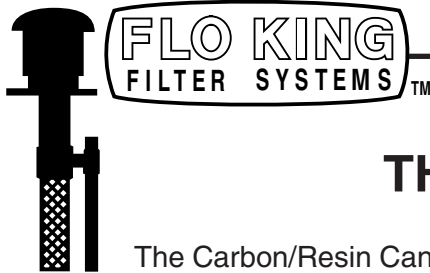
Cutaway view of Carbon/Resin Canister at left shows filter cartridge and hollow area for carbon or resin additions. Canister can be used for continuous treatment and filtration or occasionally as need arises.

* BXL2500 & BXL5000 require "S" Attachment (see Bulletin 32) when used with 7"-diameter canister.

★ IF YOU NEED A FILTER SYSTEM TOMORROW CALL US TODAY ★

Pioneers of In-Tank Filtration ★ www.floking.com ★ e-mail: floking@sprintmail.com

CUSTOM MASTERS, INC. • 401 LAKE BENNETT CT., LONGWOOD, FL 32750-6341 USA • 407-331-4634 FAX 407-331-0575



THE CARBON/RESIN CANISTER

The Carbon/Resin Canister is a reusable device for continuous or periodic carbon treatment and filtration, or even metals removal using ion-exchange resin. The canister is easily attached to the **FLO KING** pump of your choice and includes a porous polypropylene tube, inner filter cartridge, and hollow area in which to add carbon or resin.

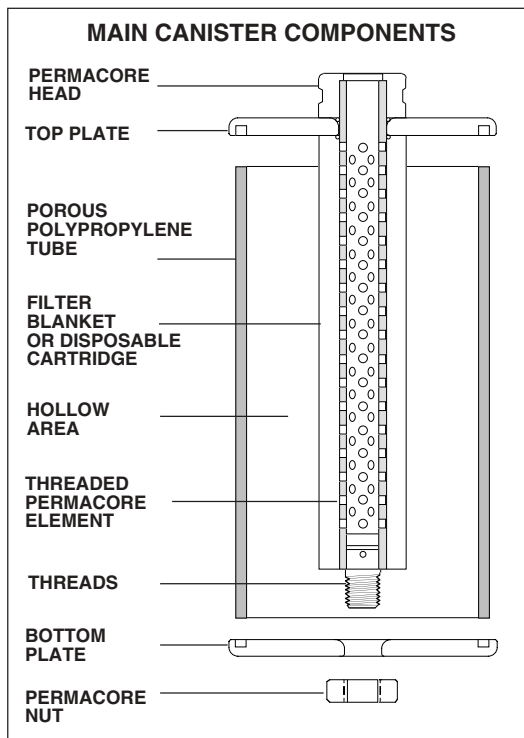
To remove organic impurities from plating and related solutions, just add **FLO KING** pelletized carbon (Bulletin 30) to the canister hollow area. You can carbon treat directly in the contaminated bath. There is no need to transfer solution to a separate tank and use messy, time-consuming batch carbon treatment. When the carbon is spent, just empty, clean, and refill the canister.

The relatively coarse, porous polypropylene tube preserves the high flow rate of the **FLO KING** pump while preventing large particles from clogging the filter cartridge or carbon inside the canister. Fine particulates are removed by the internal filter cartridge, which can be of the reusable or disposable variety (your choice).

The Carbon/Resin Canister, an updated version of our original Carbon/Resin Pack (now discontinued), offers several advantages, including: improved durability, greater ease of use, compatibility with more **FLO KING** systems (BX1200, BXL2500, BX3000, BX5000 and BXL5000), and expanded size selection (*see table below*).

The Carbon/Resin Canister allows you to batch treat a tank overnight, making it ready for operation the next day. Or, using continuous carbon treatment, you can ensure effective solution operation month after month with calculated results.

The canister can also be used for metal removal in certain applications—for example, to extract gold from dragout tanks following plating. To use ion-exchange resins with the canister, first contact a resin supplier to identify a product that will remove the metal in concern. The volume of resin required will also have to be calculated for your intended application.



Tank volume, gallons (liters)	Suggested canister size
50-250 (190- 950)	CRC6
Up to 500 (1900)	CRC10
Up to 750 (2800)	CRC15 or CRC6L
Up to 1,000 (3800)	CRC20 or CRC10L
Over 1,000 (3800)	CRC15L or CRC20L

* These are guidelines only. Actual requirements vary widely.

4-1/2"-Diameter Canister (11-1/2 cm)				7"-Diameter Canister (18 cm)			
Model	Length, in. (cm)	Capacity, cubic in. (cubic cm)	Carbon capacity, lb (kg)	Model	Length, in. (cm)	Capacity, cubic in. (cubic cm)	Carbon capacity, lb (kg)
CRC6	6 (15)	75 (1230)	1.0 (0.45)	CRC6L	6 (15)	200 (3270)	2.5 (1.20)
CRC10	10 (25)	125 (2070)	1.5 (0.70)	CRC10L	10 (25)	330 (5430)	4.5 (2.00)
CRC15	15 (38)	190 (3070)	2.25 (1.00)	CRC15L	15 (38)	500 (8140)	6.5 (3.00)
CRC20	20 (50)	250 (4110)	3.0 (1.35)	CRC20L	20 (50)	665 (10,850)	9.0 (4.00)