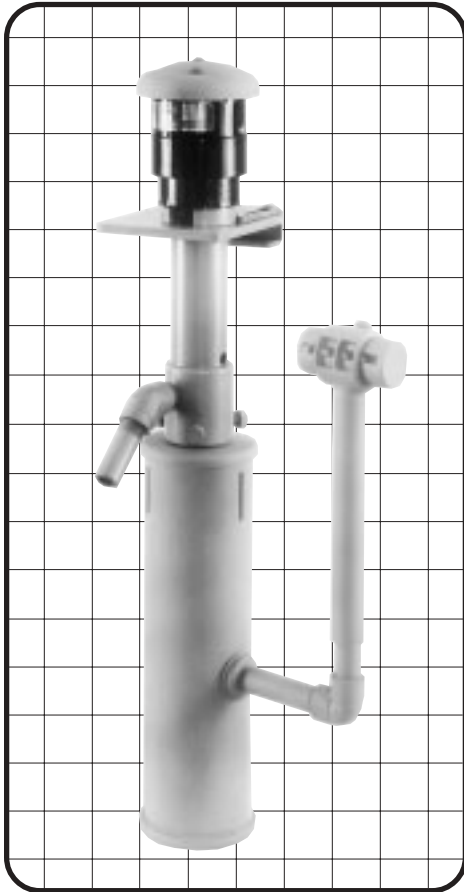




FLO KING IN-TANK FLOATING SKIMMER



Single Skimmer on BX1200

**AVAILABLE FOR THE
BX650, BX1200, BXL2500,
BX3000, BX5000 & BXL5000**

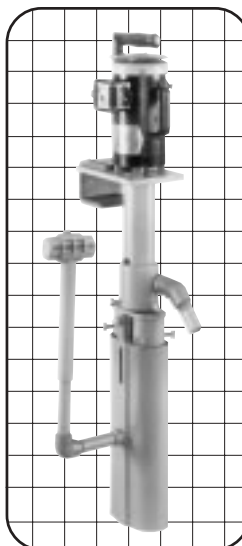
- REMOVES LIGHTWEIGHT SURFACE OILS
- SWEEPS AWAY FLOATING PARTICULATES OR SCUM
- ADJUSTS TO CHANGING SOLUTION LEVELS
- FEATURES 360° SWIVEL ADJUSTMENT FOR POSITIONING
- THREE LENGTHS AVAILABLE
- ELIMINATES REJECTS FROM DEBRIS THAT CLINGS TO PARTS, CAUSING VOIDS IN COATING

Particulates, oils, and other substances that lay on the solution surface adhere to parts and result in coating voids. They are the cause of untold rejects in the finishing industry.

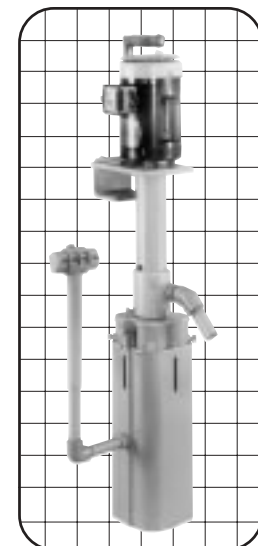
In many cases, an In-Tank Floating Skimmer attached to a **FLO KING** filter system is the ideal solution.

- The Skimmer Head skims the surface while bobbing on a vertical stand pipe.
- The Skimmer Trash Trap contains a filter cartridge to capture the foreign substances being removed.
- Once filtered, clean solution is expelled from the pump discharge port to agitate and circulate the bath.

*Double Skimmer
Trash Trap
Shown on BX3000*



*Quad Skimmer
Trash Trap
Shown on BX5000*



Pioneers of In-Tank Filtration ★ www.floking.com



FLO KING IN-TANK FLOATING SKIMMER

The In-Tank Floating Skimmer removes floating debris and lightweight surface oil. By removing the slick surface characteristic of many metal finishing tanks, the Skimmer eliminates problems that occur when parts are dipped in and retrieved through floating debris.

- **How It Works:** Using the powerful vacuum-side filtration of a **FLO KING** system, solution is drawn through entry slots on the Skimmer Trash Trap and also through the Skimmer Head. Solution then passes through a reusable or disposable filter cartridge (your choice) in the Skimmer Trash Trap. The clean, filtered solution is expelled at a high rate from the pump discharge port, creating agitation as a natural byproduct of filtration. So your bath stays well circulated and filtered at the same time the slick or dirty surface is skimmed.

- **Skimmer Trash Traps:** The Skimmer Trash Trap is available in lengths of 10, 15 and 20" (25, 38 and 50 cm) and in three configurations—Single (holds one filter cartridge), Double (holds two filter cartridges), and Quad (holds four filter cartridges).

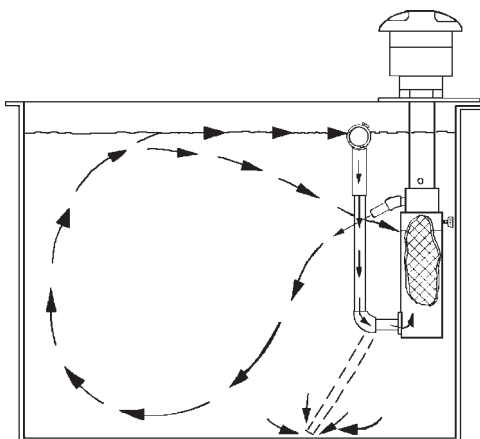
- The **Single Skimmer Trash Trap** can be used only with the BX650 and BX1200.

- The **Double Skimmer Trash Trap** can be used with the BX1200, BXL2500, BX3000, BX5000 and BXL5000.

- The **Quad Skimmer Trash Trap** can be used with the BX3000 or BX5000. It can also be used on a BXL2500 or BXL5000 equipped with an "S" Attachment (see Bulletin 32).

- **Filter Recommendations:** For most applications involving oily surfaces and sizable surface debris, the coarsest filter media available is recommended when using the Skimmer. These include **FLO KING** Super Magnum MCXC (75 micron) and MCXF (30 micron) reusable filters, as well as the FK75 Poly-Spun disposable filter cartridges (75 micron). **Important:** In baths containing oil and sizable debris, use of a very tightly wound, fine-micron filter cartridge may result in rapid clogging and frequent changing of filter cartridges, as well as loss of flow rate and agitation!

- **Oil Removal:** In tests, each 10"-long MCXC Super Magnum reusable filter blanket (75 micron) holds about 8 fluid ounces (235 cubic centimeters) of 30-weight oil before plugging up. The blanket can then be cleaned and reused, or in the case of a disposable filter cartridge, disposed of and a new one inserted in the Skimmer Trash Trap. *(Important! In cases of severe surface contamination with oil, the Skimmer should not be considered a substitute for mechanical oil-skimming wheels, belts, mops, weirs, absorbent media, related devices and materials.)*



(Right) Major components of Skimmer System on BX1200, showing Single Skimmer Trash Trap. For greater solids-holding capacity, other Skimmer Trash Traps hold two (Double) or four (Quad) filter cartridges. (Above) Optional Vacuum Cleaner Arrangement, illustrating how Stand Pipe can be lowered to clean tank bottom. (Note: To vacuum deep tanks, a Stand Pipe extension or longer Stand Pipe may be required.)

